

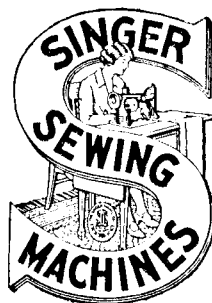
**SINGER**  
**142W101**

WEIGHT PAID  
BY MAIL LEFT.

# LIST OF PARTS

## INDEX

---



	Page
Accessories .....	12
Bobbin Winder .....	12
Knee Lifter.....	13
Machine No.142w101 .....	7
Miscellaneous Parts .....	14
Numerical List of Parts .....	15
Thread Unwinder .....	14
Work Plate .....	14

From the library of: Diamond Needle Corp

### MACHINE No. 142w101

---

THE SINGER MANUFACTURING COMPANY

# INSTRUCTIONS FOR ORDERING

In ordering from this list, use **ONLY** the **PART** number in the **FIRST** column.

The number stamped on a Sewing Machine Part is the number of the Single Part only, except when the part includes Set Screws, Clamping Screws, Studs and Rollers Spun on, Small Wires riveted, or Parts soldered together, etc., which it is necessary to furnish in combination.

Every combination of parts sent out has its specific number which, although not stamped on Parts (except in above case), must be used when ordering the combination.

Each number always indicates the **SAME PART** in whatever list it appears, or for whatever Machine.

The letters after some of the numbers indicate the style of finish only, as follows:

- A. Hardened, Polished and Plated.
- B. Polished and Plated.
- C. Hardened only.
- D. Polished only.
- E. Soft, not polished.
- F. Hardened and Polished.
- H. Blued.
- J. Nickel Plated only.
- R. Merlized.
- Y. Black Nickel Plated only.

These letters **MUST BE USED** when they appear in the list and **AFTER** the number, as in the list.

In this series

200001 to 201500 and 350001 to 351500 are Screw Numbers.  
 201501 to 201800 and 351501 to 351800 are Nut Numbers.  
 201801 to 202000 and 351801 to 352000 are Roller Numbers.  
 202001 to 350000 are Numbers of Machine Parts.

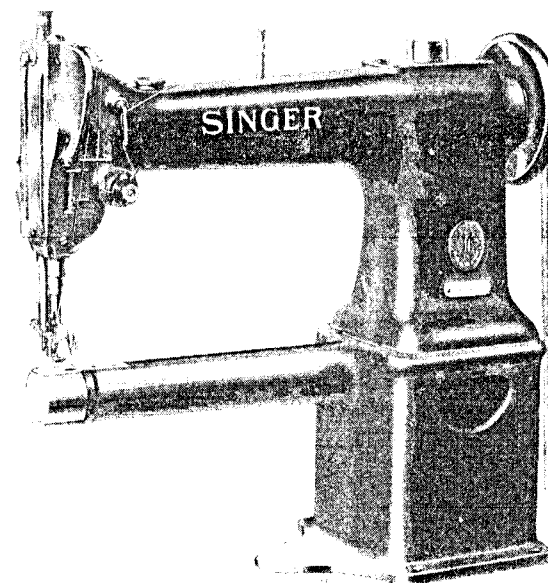
The figures in the second column refer only to the plate in which the illustration of the part is shown and are **NOT TO BE USED** in ordering.

Two or more numbers over a cut indicate that the difference between such parts is not visible in an illustration.

Parts marked with an asterisk (\*) are furnished only when repairs are made at the factory.

## LIST OF PARTS COMPLETE

FOR



From the library of: Diamond Needle Corp

## MACHINE No. 142w101

FOR GENERAL DARNING. HIGH SPEED. LONG ARM.  
 HAS NO FEED MOTION.

No.	Plate	Name
*241251	-----	Arm with 202135
202247	12631	" Cap
200278H	10244	" " Screw
202248	10244	" " " Washer
204235	12628	" Position Pin (2)
200010E	12628	" Screw (3)
202005	12628	" " Washer (3)
241252	12632	" Shaft with 20035"E and 224392
240902	12631	" " Bushing (back) with 202244

No.	Plate	Name
202244	-----	Arm Shaft Pushing (back) Oil Packing (wick)
200338C	10244	Arm Shaft Bushing (back) Set Screw
207080	12631	" " " (front) with 202244
202244	-----	" " " " Oil Packing (wick)
200502B	12628	" " " " " Thumb Screw
200341C	12628	Arm Shaft Pushing (front) Set Screw
202530	12631	" " Connection Belt
202252	10244	" " " " Pulley with 200327C, 200602E and two 202253
200602E	10244	Arm Shaft Connection Belt Pulley Position Screw
200327C	10244	Arm Shaft Connection Belt Pulley Set Screw
202253	10244	Arm Shaft Connection Belt Pulley Spring Flange
224392	-----	Arm Shaft Oil Packing (wick)
200357E	10244	" " " " Stop Screw
237784	12632	Balance Wheel (disc)(belt groove 2-3/8 in. diam.) with 200328C and 200335C
200062H	12628	Balance Wheel Adjusting Screw
200328C	10244	" " Position Screw
200335C	10244	" " Set Screw
*241253	-----	Bed (cylinder)
241254	12631	" " End Cover
202265	12628	Bobbin
*202806	-----	" Case
202267	12628	" " Latch
*202056	-----	" " " Pin
202269	12628	" " " Plunger
202270	12628	" " " Spring
202716	12628	" " Tension Spring
200984C	12628	" " " " Regulating Screw
200594C	12628	" " " " Screw
202533	12628	Bobbin Case complete, Nos. 200594C, 200984C, 202056, 202267, 202269, 202270, 202716 and 202806
202274	12632	Face Plate
202135	12628	" " Position Pin
200462B	12628	" " Thumb Screw
259079	12628	Finger Guard
259080	12628	" " Bracket
201152E	12628	" " Screw
259081	-----	Finger Guard complete, Nos. 259079, 259080 and two 201152E
*244010	-----	Hook (sewing)
244023	12632	" 244010 with 200145C, 200596F, 200614C, 202319, 203101, 206775, 206852 and 244014

No.	Plate	Name
244025	-----	Hook and Bobbin Case complete, Nos. 202533 and 244023
206852	12628	Hook G1b
200614C	12628	" " Hinge Screw
200596F	12628	" " Screw
203101	-----	" Oil Wick
*202319	-----	" Shaft, 13-27/32 in. long
202321	12628	" " Bushing (back)
200335C	10244	" " " " Set Screw
221682	12631	" " " (front)
200335C	10244	" " " " Set Screw
202323	10244	" " Connection Belt Pulley with 202324 and two 201018C
201018C	12628	Hook Shaft Connection Belt Pulley Set Screw
202324	10244	Hook Shaft Connection Belt Pulley Spring Flange
206775	12628	Hook Shaft Pin
244014	12628	" Washer
200145C	12628	" " Screw
237837	12631	Knee Lifter Connection Lever
200262H	12628	" " " " Hinge Screw
241256	12631	" " " " Lifting Rod with 202302
202302	12628	Knee Lifter Connection Lever Lifting Rod Cotter Pin
244036	12632	Knee Lifter Lifting Lever
200262H	12628	" " " " Hinge Screw
202326	12629	Needle Bar with 200141F
202550	12629	" " Bushing
206880	-----	" " " 202550 with 202326
200352C	12629	" " " Set Screw
202331	12629	" " Connecting Link
236073	12629	" " " " Oil Guard
200161D	10247	" " " " " " " Screw
202333	12629	Needle Bar Connecting Link Stud with 202254
202254	-----	Needle Bar Connecting Link Stud Oil Packing (wick)
200374C	12629	Needle Bar Connecting Link Stud Set Screw
*206891	-----	Needle Bar Connecting Stud
202329	12629	" " " " 206891 with 200686C and 202330
202330	-----	Needle Bar Connecting Stud Oil Packing (wick)
200086C	12629	Needle Bar Connecting Stud Pinch Screw
202328	12631	" " Crank with 200335C, 200428C, 202333 and two 200374C

## PARTS FOR MACHINE 142w101

No.	Plate	Name
203117	-----	Needle Bar Crank 202328 with 202329, 202331 and 202398 to 202400
203172	12629	Needle Bar Crank Friction Washer
200428C	12629	" " " Position Screw
200335C	10244	" " " Set Screw
200141F	12629	" Set Screw
244033	-----	Presser Bar (hollow)
202335	12632	" " 244033 with 200074F
241535	12629	" " Bushing
200352C	12629	" " " Set Screw
202339	12629	" " Lifter
200653C	12629	" " " Hinge Screw
244004	12630	" " Lifting Releasing Lever Bracket
200260D	12630	Presser Bar Lifting Releasing Lever Bracket Guide Screw
206608	12630	Presser Bar Lifting Releasing Lever Bracket Spring
202337	12630	Presser Bar Position Guide
202338	12630	" " " " Lever with 200086F
200086F	12629	Presser Bar Position Guide Lever Pinch Screw
200352C	12629	Presser Bar Position Guide Set Screw
241257	12630	" " Spring (light)
202346	12630	" " " Stop Rod
213639	12630	" " Stop Collar with 250330C
350355C	12630	" " " " Set Screw
200492B	12630	" " Thumb Screw (pressure regulating)
200475B	12630	Presser Bar Thumb Screw Thumb Set Screw
202355	12630	" " " " " " " Packing (brass)
221197	12630	Presser Foot
200074F	12630	" " Screw
202398	10247	Take-up Lever
202399	10247	" " Driving Stud with 202277
202277	-----	" " " " Oil Packing (wick)
202400	10247	Take-up Lever Hinge Stud with 202423
202423	-----	" " " " Oil Packing (wick)
200383C	12630	Take-up Lever Hinge Stud Set Screw
202401	10247	" " Oiling Felt
200132E	10247	" " " " Screw
244048	10247	Tension Disc (back)
244049	10247	" " (front)
202404	10247	" Release Plunger
244061	12630	" " Washer
202407	10881	" Spring

No.	Plate	Name
263106	12630	Tension Spring Washer
200625F	10247	" Stud with 204925
200061C	12633	" " Set Screw
204925	12633	" " Washer
201572B	10881	" Thumb Nut
244062	-----	Tension complete, Nos. 200625F, 201572B, 202407, 202410, 244048, 244049, 244061 and 263106
202410	12633	Thread Controller Spring
202411	12633	" " " Stop
200132E	10247	" " " " Screw
202412	12633	" Guide
202414	12633	" "
202415	12633	" "
202417	12633	" "
200582H	12633	" " Screw
200355H	12633	" " Set Screw
200397C	12633	" " " "
240335	12633	" Retainer
200397C	12633	" " Set Screw
241265	12633	Throat Plate, 40 needle hole, for needle sizes 12 and 14
200956F	12633	Throat Plate Screw

**Genuine Singer Needles should be used in Singer Machines. These Needles and their Containers are marked with the Company's Trade Mark "SIMANCO." 1**

**Needles in Containers marked "For Singer Machines" are not Singer made needles. 2**

## ACCESSORIES

No.	Plate	Name
202265	12628	Bobbin (5)
*225482	-----	" Case Screw Driver Blade
*225483	-----	" " " " Handle
225497	12632	Bobbin Case Screw Driver complete, Nos. 225482 and 225483
241268	-----	Drip Pan (cast iron) with one wood screw 1-1/4 in., No. 12, R.H.B.
202614	12631	Knee Lifter Rock Lever Rod, 5 in. long, with 202456
*202456	-----	Knee Lifter Rock Lever Rod Cap
135 x 1	-----	Needles, three each, sizes 12 and 14
51078	12633	Machine Bolt (4)
6055	12633	" " Washer (4)
120342	12632	Oiler (copper plated) with 120343
120343	12632	" Spout, 3-1/2 in. long
*225484	-----	Screw Driver Blade
*225485	-----	" " Handle
225498	12632	Screw Driver complete (7-1/4 in. long), Nos. 225484 and 225485
225554	12632	Wrench (steel)

## BOBBIN WINDER

Swing Automatic, Right Hand

225453	10884	Frame with 202277 and 225438
225454	10884	" Hinge Pin
202277	-----	" Oil Packing (wick)
225438	10884	" " Well Cap
225455	10884	" Spring
225456	10884	" " Plunger
202473	10885	Pulley with 200380C
200380C	12633	" Set Screw
225381	10884	Spindle
225444	10884	Stop Latch
200056E	10884	" " Screw
225458	10884	" " Thumb Lever
225459	10884	" " " " Hinge Stud
225459	10884	" " " " Joint Stud
202478	10884	" " Trip Lever
200299H	10884	" " " " Hinge Screw

## ACCESSORIES

No.	Plate	Name
201461	10881	Tension Bracket with 201499F
200022D	10881	" " Screw
228026	10884	" " " Washer
2102	10881	" Disc
200407	10881	" Spring
201499B	10881	" Stud
201272B	10881	" " Thumb Nut
221462	10881	Bobbin Winder Tension Bracket complete, Nos. 201272B, 202407, 221461 and two 2102
221433	10885	Bobbin Winder and Tension Bracket Base
222232	10881	Universal Bobbin Winder complete, Nos. 200022E, 200022F, 200022G, 200472, 200478, 200881, 221433, 221444, 225453 to 221456, 225458, 225460, 228026, two each 223459 and wood screws 3/4 in., No. 12, R.H.B.

## KNEE LIFTER

228294	15911	Rock Lever with two 356C
228295	15911	" " Bracket with 316C and four wood screws 7/8 in., No. 12
228299	-----	Rock Lever Bracket 228295 with 228294 and 228297
228296	15911	Rock Lever Extension with 200529C
356C	15911	" " " " Set Screw
228297	15911	" " Hinge Pin
356C	15911	" " " " Set Screw
202455	15911	" " Knee Arm
356C	15911	" " " " Set Screw
228294	15911	" " " " Plate with 356C
356C	15911	" " " " Set Screw
227728	15911	" " Rod with 227729
*227729	-----	" " " Cap
200529C	15911	" " " Set Screw
228298	15911	Knee Lifter complete, Nos. 202455, 227728, 228284, 228296 and 228299

(Other Knee Lifter parts are listed with parts of machine head.)

## THREAD UNWINDER

No.	Plate	Name
225257	14363	Spool Rest (for two spools)(flat) with 201018C
150203	-----	Spool Rest Cushion (felt)
225388	14363	" " Rod
200383C	12630	" " " Set Screw
201018C	12629	" " " Set Screw
202490	14363	" Stand with 200383C
225391	14363	Thread Guide
201696J	12633	" " Lock Nut
225326	12633	" " Position Cup
225324	14363	" " Rod with 208E and 225322
208E	12633	" " " Screw
225322	12633	" " " Washer
225258	14363	Thread Unwinder (for two spools) complete, Nos. 201696J, 202490, 201018C, 225324, 225326, 225328, two each 110203, 225391 and three wood screws 7/8 in., No. 12

## WORK PLATE

241262	12631	Arm Cap
241263	-----	Arm Cap complete, Nos. 200574E, 241262 and 241264
241264	12631	Bed (cylinder) End Cover Holder
200574E	12628	" " " " " Screw
241266	12632	Work Plate
691F	12633	" " " Screw
241260	12632	" " " Yoke
200728D	12633	" " " Thumb Screw
241267	-----	Work Plate complete, Nos. 200728D, 241260, 241263, 241266 and two 691F

## MISCELLANEOUS PARTS

Used in conjunction with Thread Unwinder

60913	14363	Spool Weight with 60914
60914	-----	" " Center Pin
225377	14363	" Wire, for small spools
27739	14363	Thread Cone (wood)

## NUMERICAL LIST OF PARTS

## NUMERICAL LIST OF PARTS

FOR

MACHINE No. 142w101

No.	Plate	Name
200001	12633	Thread Unwinder Thread Guide Rod Screw, for 200404
200002	18911	Knee Lifter Rock Lever Extension Set Screw, for 228224
200003	18911	Knee Lifter Rock Lever Hinge Pin Set Screw, for 228226
200004	18911	Knee Lifter Rock Lever Knee Arm Set Screw, for 228224
200005	18911	Knee Lifter Rock Lever Knee Plate Set Screw, for 228224
200006	12633	Work Plate Screw, for 241227
200007	16821	Bobbin Winder Tension Disc, for 228462
200008	12633	Machine Felt Washer
200009	14367	Thread Cone (wood)
200010	12633	Machine Felt
200011	14368	Spool Weight with 20914
200012	-----	" " Center Pin, for 60917
200013	12633	Ciler (copper plated) with 120843
200014	12633	" Spout, 7-1/2 in. long, for 126342
200015	-----	Thread Unwinder Spool Rest Cushion (felt), for 228258
200016	12659	Arm Screw
200017	10984	Bobbin Winder Stop Latch Screw, for 228322
200018	12633	Tension Stud Set Screw
200019	12629	Balance Wheel Adjusting Screw
200020	12630	Presser Foot Screw, for 202335
200021	16881	Bobbin Winder Tension Bracket Screw, for 202322
200022	12629	Needle Bar Connecting Stud Pinch Screw, for 202329
200023	12629	Presser Bar Position Guide Lever Pinch Screw, for 202332
200024	16247	Take-up Lever Ciling Felt Screw
200025	16247	Thread Controller Spring Stop Screw
200026	12629	Needle Set Screw, for 202327
200027	12629	Hook Washer Screw, for 244023
200028	16247	Needle Bar Connecting Link Oil Guard Screw
200029	12630	Presser Bar Lifting Releasing Lever Bracket Guide Screw
200030	12629	Knee Lifter Connection Lever Hinge Screw
200031	12629	Knee Lifter Lifting Lever Hinge Screw

From the library of: Diamond Needle Corp



No.	Plate	Name
200278H	10244	Arm Cap Screw
200299H	10884	Bobbin Winder Hop Latch Trip Lever Hinge Screw, for 202342
200327C	10244	Arm Shaft Connection Belt Pulley Set Screw, for 202212
200328C	10244	Balance Wheel Position Screw, for 202294
200335C	10244	" " Set Screw, for 202294
200335C	10244	Hook Shaft Bushing (back) Set Screw
200335C	10244	" " " (front) Set Screw
200335C	10244	Needle Bar Crank Set Screw, for 202299
200339C	10244	Arm Shaft Bushing (back) Set Screw
200341C	12628	" " " (front) Set Screw
200342C	12629	Needle Bar Bushing Set Screw
200352C	12629	Presser Bar Bushing Set Screw
200352C	12629	" " Position Guide Set Screw
200355H	12633	Thread Guide Set Screw
200357E	10244	Arm Shaft Oil Packing Stop Screw, for 241352
200374C	12629	Needle Bar Connecting Link Stud Set Screw, for 202328
200380C	12633	Bobbin Winder Pulley Set Screw, for 202472
200382C	12630	Take-up Lever Hinge Stud Set Screw
200383C	12630	Thread Unwinder Spool Rest Retainer Set Screw, for 202490
200397C	12633	Thread Guide Set Screw
200397C	12633	" Retainer Set Screw
200428C	12629	Needle Bar Crank Position Screw, for 202328
200442B	12628	Face Plate Thumb Screw
200475B	12630	Presser Bar Thumb Screw Thumb Set Screw
200492B	12630	" " " " (pressure regulating)
200502B	12628	Arm Shaft Pushing (front) Oil Locking Thumb Screw
200529C	15911	Knee Lifter Rock Lever Rod Set Screw, for 228296
200574E	12628	Bed (cylinder) End Cover Holder Screw, for 241263
200592H	12633	Thread Guide Screw
200594C	12628	Bobbin Case Tension Spring Screw, for 202533
200596F	12628	Hook Oil Screw, for 244027
200602E	10244	Arm Shaft Connection Belt Pulley Connection Screw, for 202212
200614C	12628	Hook Oil Hinge Screw, for 244027
200625F	10247	Tension Stud with 204925, for 244027
200653C	12629	Presser Bar Lifter Hinge Screw
200679D	12633	Work Plate Yoke Thumb Screw, for 241267
200686F	12633	Thread Plate Screw

No.	Plate	Name
200686F	10247	Bobbin Case Tension Spring Regulating Screw, for 202533
200686F	10247	Hook Shaft Connection Belt Pulley Set Screw, for 202212
200686F	12629	Thread Unwinder Spool Rest Set Screw, for 202257
200686F	12628	Finger Guard Screw, for 209061
200686F	10261	Bobbin Winder Tension Stud, for 202401
200686F	10261	" " " " Thumb Nut, for 202402
200686F	10261	Tension Thumb Nut, for 204027
200686F	10262	Thread Unwinder Thread Guide Lock Nut, for 202294
200686F	12628	Arm Screw Washer
200686F	-----	Bobbin Case Latch Pin, for 202328
200686F	12628	Face Plate Position Pin, for 241261
200686F	-----	Arm Shaft Pushing (back) Oil Packing (wick), for 240812
200686F	-----	Arm Shaft Bushing (front) Oil Packing (wick), for 207080
200686F	12628	Arm Cap
200686F	10244	" " Screw Washer
200686F	10244	" Shaft Connection Belt Pulley with 200277C, 200602E and two 202212
200686F	10244	Arm Shaft Connection Belt Pulley Spring Flange, for 202212
200686F	-----	Needle Bar Connecting Link Stud Oil Packing (wick), for 202332
200686F	12628	Bobbin
200686F	12628	" Case Latch, for 202533
200686F	12628	" " Plunger, for 202533
200686F	12628	" " " Spring, for 202533
200686F	12628	Face Plate
200686F	-----	Bobbin Winder Frame Oil Packing (wick), for 202453
200686F	-----	Take-up Lever Driving Stud Oil Packing (wick), for 202329
200686F	12628	Knee Lifter Connection Lever Listing Rod Cotter Pin, for 241210
200686F	-----	Hook Shaft, 18-27/32 in. long, for 244028
200686F	12628	" " Bushing (back)
200686F	10244	" " Connection Belt Pulley with 202294 and two 201918C
200686F	10244	Hook Shaft Connection Belt Pulley Spring Flange, for 202212
200686F	12629	Needle Bar with 200141F, for 206880
200686F	12621	" " Crank with 200533C, 200428C, 202332 and two 200594C, for 205117
200686F	12629	Needle Bar Connecting Stud 202591 with 200594C and 202332, for 205117

## NUMERICAL LIST OF PARTS

No.	Plate	Name
202330	-----	Needle Bar Connecting Stud Oil Packing (wick), for 202329
202331	12629	Needle Bar Connecting Link, for 202317
202333	12629	" " " " Stud with 202254, for 202328
202335	12632	Presser Bar 244033 with 200074F
202337	12630	" " Position Guide
202338	12630	" " " " Lever with 200036F
202339	12629	Presser Bar Lifter
202346	12630	" " Spring Stop Rod
202355	12630	" " Thumb Screw Thumb Set Screw Packing (brass) Nos. 202398 to 202400, for 202317
202398	10247	Take-up Lever
202399	10247	" " Driving Stud with 202277
202400	10247	" " Hinge Stud with 202425
202401	10247	" " Oiling Felt
202404	10247	Tension Release Plunger
202407	10881	Bobbin Winder Tension Spring, for 225402
202407	10881	Tension Spring, for 244062
202410	12633	Thread Controller Spring, for 244062
202411	12633	" " " Stop
202412	12633	" Guide
202414	12633	" "
202415	12633	" "
202417	12633	" "
202423	-----	Take-up Lever Hinge Stud Oil Packing (wick), for 202400
202455	15911	Knee Lifter Rock Lever Knee Arm, for 228298
*202456	-----	Knee Lifter Rock Lever Rod Cap, for 202614
202473	10885	Bobbin Winder Pulley with 200330C, for 225382
202478	10884	Bobbin Winder Stop Latch Trip Lever, for 225382
202490	14363	Thread Unwinder Spool Stand with 200363C for 225258
202530	12631	Arm Shaft Connection Belt
202533	12628	Bobbin Case complete, Nos. 200594C, 200984C, 202056, 202267, 202269, 202270, 202716 and 202806, for 244023
202550	12629	Needle Bar Bushing, for 206880
202614	12631	Knee Lifter Rock Lever Rod, 5 in. long, with 202456
202716	12628	Bobbin Case Tension Spring, for 202533
*202806	-----	" " -for 202533
203101	-----	Hook Oil Wick, for 244023

## NUMERICAL LIST OF PARTS

No.	Plate	Name
203117	-----	Needle Bar Crank 202325 with 202329, 202331 and 202339 to 202400
203172	12629	Needle Bar Crank Friction Washer
204223	12629	Arm Position Pin
204925	12633	Tension Stud Washer, for 200025F
206008	12630	Presser Bar Lifting Releasing Lever Bracket Spring
206775	12629	Hook Shaft Pin, for 244023
206882	12629	" G15, for 244023
206882	-----	Needle Bar Bushing 202530 with 202326
*206891	-----	" " Connecting Stud, for 202329
207090	12631	Arm Shaft Bushing (front) with 202244
213039	12630	Presser Bar Stop Collar with 230355C
221197	12629	" Foot
221682	12631	Hook Shaft Bushing (front)
224392	-----	Arm Shaft Oil Packing (wick), for 241252
225257	14363	Thread Unwinder Spool Rest (for two spools) (flat) with 201018C, for 225258
225258	14363	Thread Unwinder (for two spools) complete, Nos. 201590J, 202490, 225257, 225324, 225326, 225388, two each 150203, 225391 and three wood screws 7/32 in., No. 12
225322	12633	Thread Unwinder Thread Guide Rod Washer, for 225324
225324	14363	Thread Unwinder Thread Guide Rod with 206E and 225322, for 225258
225326	12633	Thread Unwinder Thread Guide Position Cup, for 225258
225377	14363	Spool Wire, for small spools
225381	10884	Bobbin Winder Spindle, for 225382
225382	10885	Universal Bobbin Winder complete, Nos. 200066E, 200382D, 200200H, 202473, 202479, 225381, 225433, 225444, 225453 to 225456, 225459, 225460, 208026, two each 225459 and wood screws 3/4 in., No. 12, R.H.S.
225388	14363	Thread Unwinder Spool Rest Rod, for 225258
225391	14363	Thread Unwinder Thread Guide, for 225258
225433	10885	Bobbin Winder and Tension Bracket Base, for 225382
225438	10884	Bobbin Winder Frame Oil Well Cap, for 225453
225444	10884	Bobbin Winder Stop Latch, for 225382
225453	10884	Bobbin Winder Frame with 202277 and 225438
225454	10884	Bobbin Winder Frame Hinge Pin
225455	10884	" " " Spring

## NUMERICAL LIST OF PARTS

No.	Plate	Name
225456	10884	Bobbin Winder Frame Spring Plunger
225458	10884	" " Stop Latch Thumb Lever, for 225382
225459	10884	Bobbin Winder Stop Latch Thumb Lever Hinge Stud, for 225382
225459	10884	Bobbin Winder Stop Latch Thumb Lever Joint Stud, for 225382
225461	10881	Bobbin Winder Tension Bracket with 201499B, for 225462
225462	10881	Bobbin Winder Tension Bracket complete, Nos. 201572B, 202407, 225461 and two 2102, for 225382
*225482	-----	Bobbin Case Screw Driver Blade, for 225497
*225483	-----	Bobbin Case Screw Driver Handle, for 225497
*225484	-----	Screw Driver Blade, for 225499
*225485	-----	" " Handle, for 225498
225497	12632	Bobbin Case Screw Driver complete, Nos. 225482 and 225483
225498	12632	Screw Driver complete (7-1/4 in. long), Nos. 225484 and 225485
225554	12632	Wrench (steel)
227728	15911	Knee Lifter Rock Lever Rod with 227729, for 228298
*227729	-----	Knee Lifter Rock Lever Rod Cap, for 227728
228026	10884	Bobbin Winder Tension Bracket Screw Washer, for 225382
228284	15911	Knee Lifter Rock Lever Knee Plate with 356C, for 228298
228294	15911	Knee Lifter Rock Lever with two 356C, for 228299
228295	15911	Knee Lifter Rock Lever Bracket with 356C and four wood screws 7/8 in., No. 12, for 228299
228296	15911	Knee Lifter Rock Lever Extension with 200529C, for 228298
228297	15911	Knee Lifter Rock Lever Hinge Pin, for 228299
228298	15911	Knee Lifter complete, Nos. 202455, 227728, 228284, 228296 and 228299
228299	-----	Knee Lifter Rock Lever Bracket 228295 with 228294 and 228297, for 228298
236073	12629	Needle Bar Connecting Link Oil Guard
237784	12632	Balance Wheel (disc) (belt groove 2-3/8 in. diam.) with 200328C and 200335C
237837	12631	Knee Lifter Connection Lever
240335	12633	Thread Retainer
240802	12631	Arm Shaft Bushing (back) with 202344

## NUMERICAL LIST OF PARTS

No.	Plate	Name
*241251	-----	Arm with 202135
241252	12632	" Shaft with 200737E and 224392
*241253	-----	Bed (cylinder)
241254	12631	" " End Cover
241256	12631	Knee Lifter Connection Lever Lifting Rod with 202302
241257	12630	Presser Bar Spring (light)
241260	12632	Work Plate Yoke, for 241261
241262	12631	Arm Cap, for 241263
241263	-----	Arm Cap complete, Nos. 200574E, 241262 and 241264, for 241267
241264	12631	Bed (cylinder) End Cover Holder, for 241263
241265	12633	Throat Plate, 40 needle hole, for needle sizes 12 and 14
241266	12632	Work Plate, for 241267
241267	-----	Work Plate complete, Nos. 200738D, 241260, 241263, 241266 and two 691F
241268	-----	Drip Pan (cast iron) with one wood screw 1-1/4 in., No. 12, R.H.B.
241535	12629	Presser Bar Bushing
244004	12630	" " Lifting Releasing Lever Bracket
*244010	-----	Hook (sewing), for 244023
244014	12628	" Washer, for 244023
244023	12632	" 244010 with 200145C, 200596F, 200614C, 202319, 202101, 200677S, 200852 and 244014, for 244025
244025	-----	Hook and Bobbin Case complete, Nos. 202533 and 244023
244033	-----	Presser Bar (hollow), for 202335
244036	12632	Knee Lifter Lifting Lever
244048	10247	Tension Disc (back), for 244062
244049	10247	" " (front), for 244062
244061	12630	" Release Washer, for 244062
244062	-----	Tension complete, Nos. 200623F, 201572B, 202407, 202410, 244048, 244049, 244061 and 263106
259079	12628	Finger Guard, for 259081
259080	12628	" " Bracket, for 259081
259081	-----	Finger Guard complete, Nos. 259079, 259080 and two 201152E
263106	12630	Tension Spring Washer, for 244062
350355C	12630	Presser Bar Stop Collar Set Screw, for 213639

**ILLUSTRATIONS OF PARTS  
FOR  
MACHINE No. 142w101**

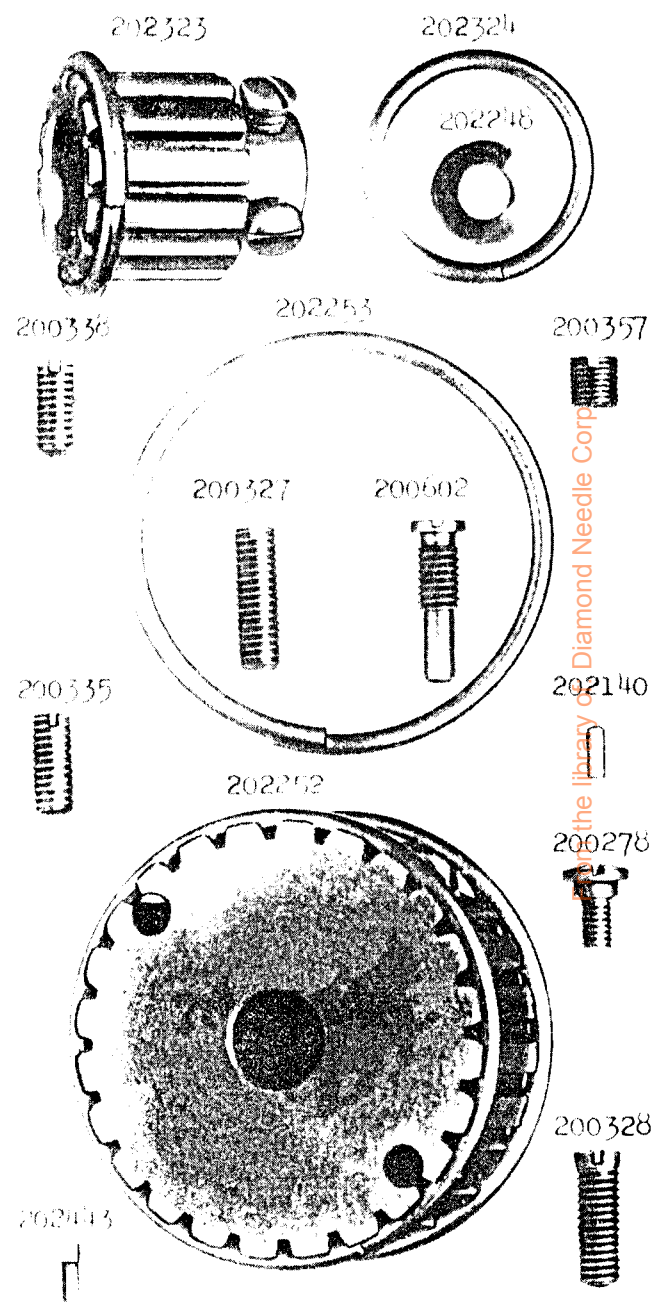


PLATE 10247 FULL SIZE

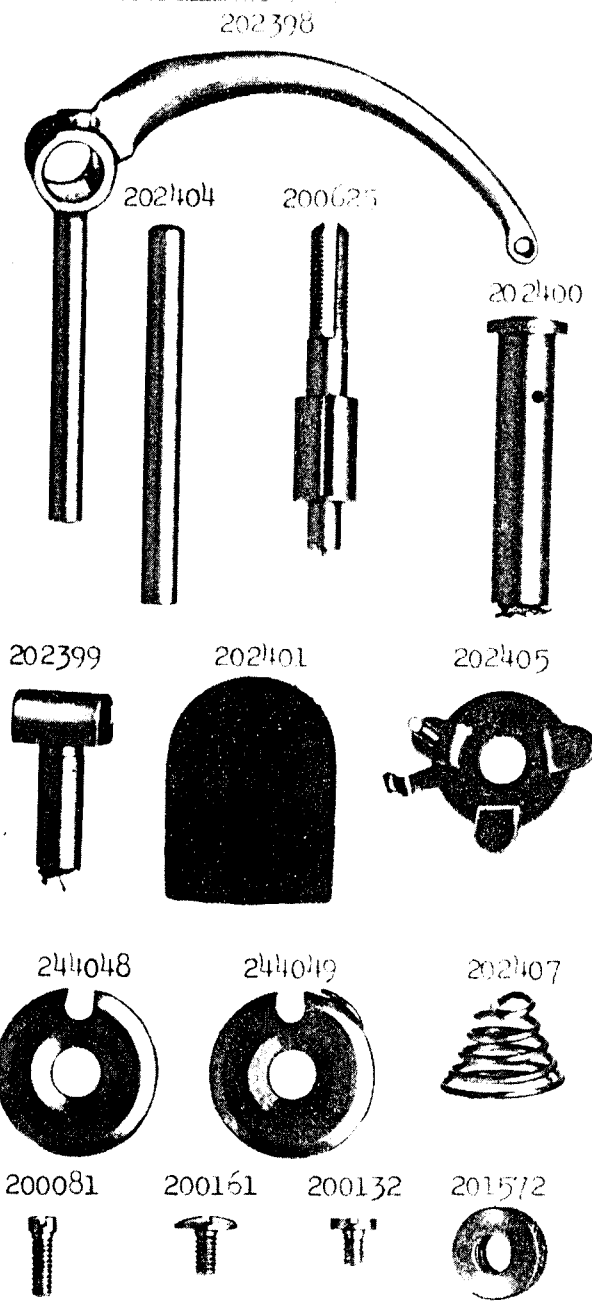
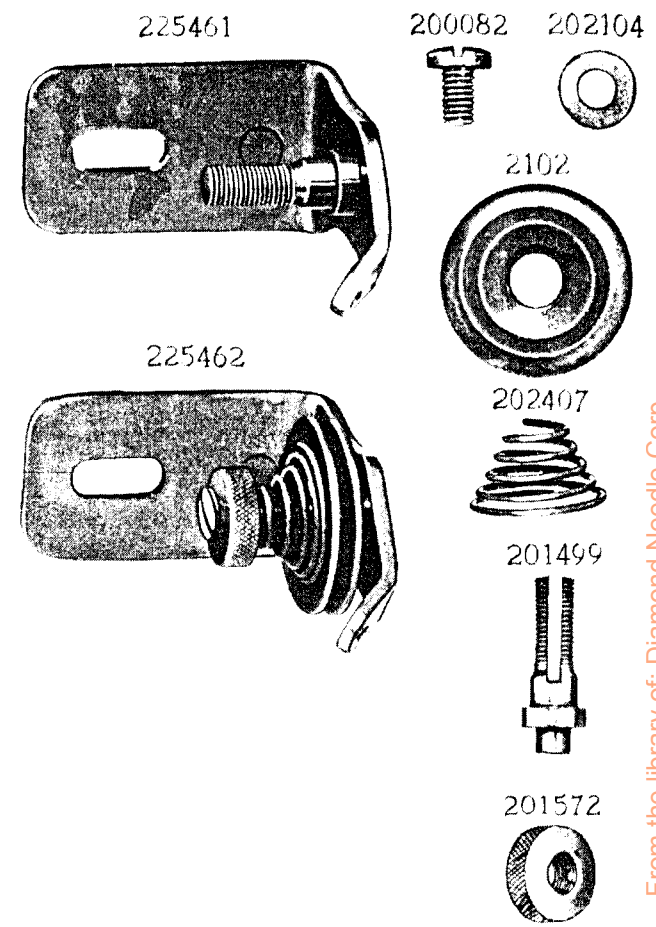


PLATE 10881—FULL SIZE



From the library of: Diamond Needle Corp

PLATE 10884 - FULL SIZE

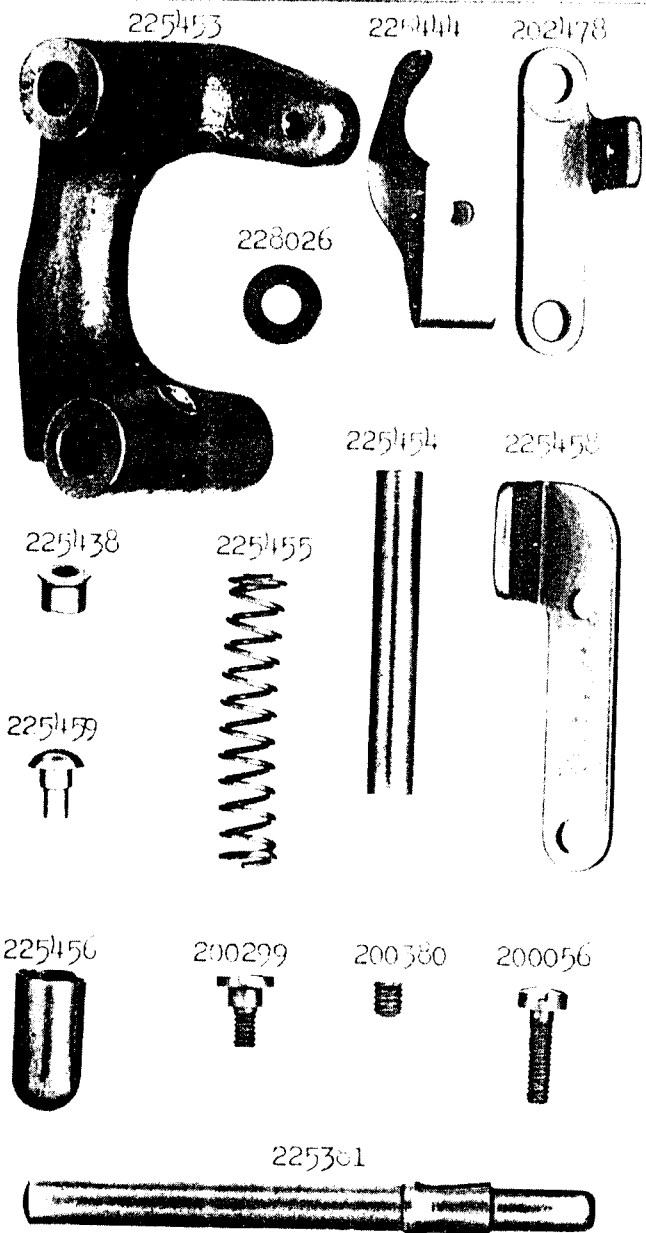
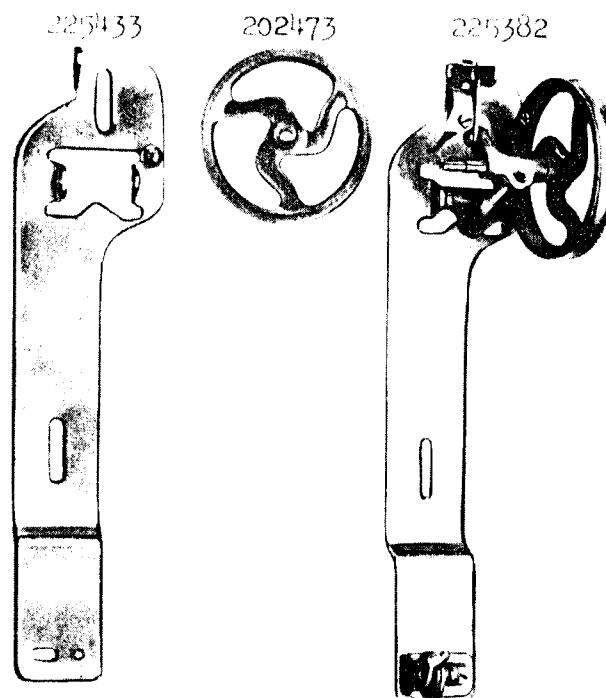


PLATE 10885 - ONE-FOURTH SIZE



From the library of: Diamond Needle Corp

PLATE 12628 - FULL SIZE

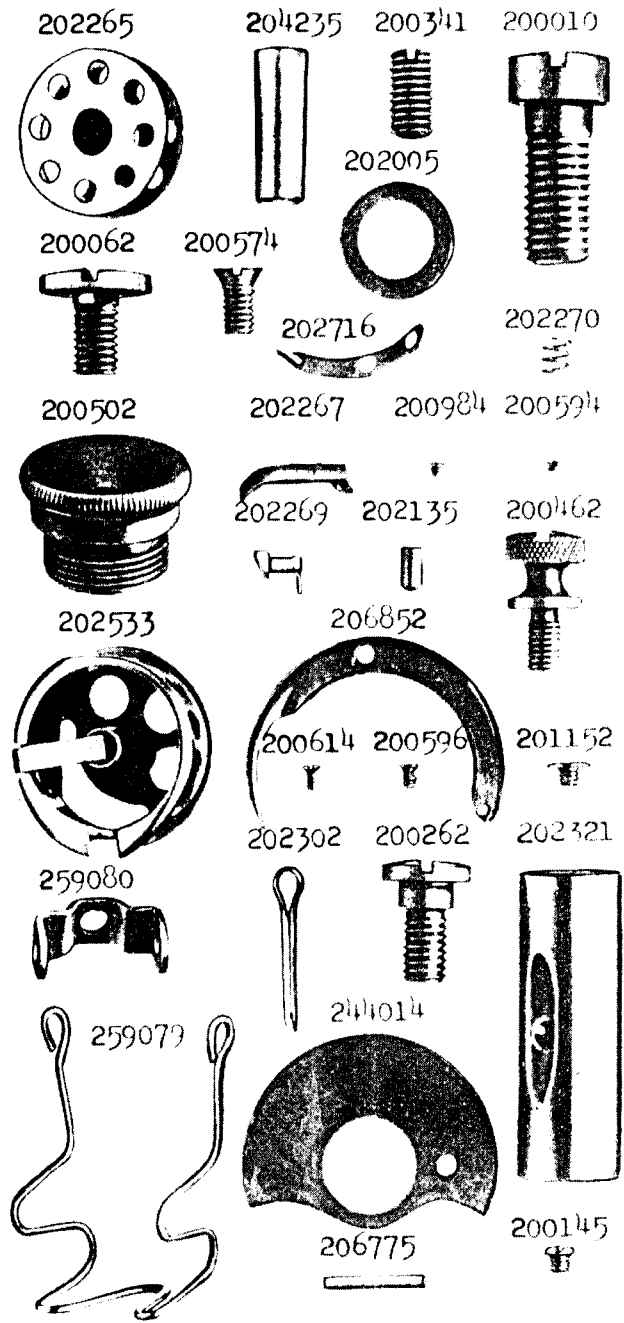
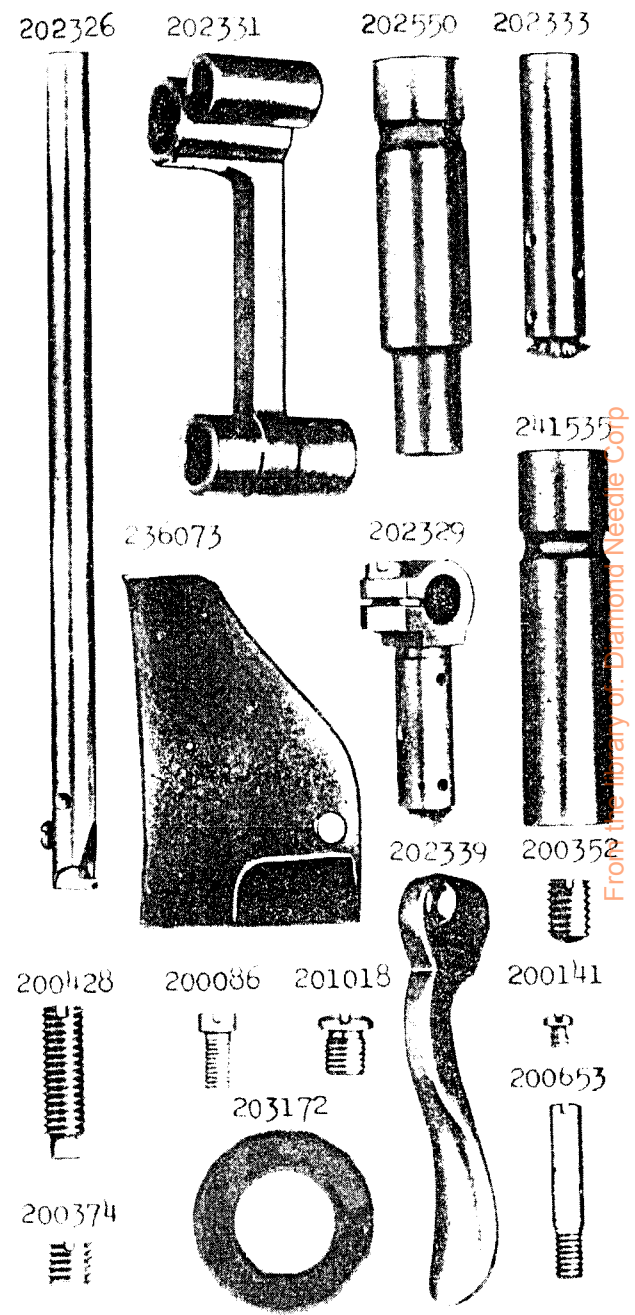


PLATE 12629 - FULL SIZE



From the library of: Diamond Needle Corp

LL SIZE

02337 241257



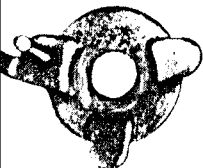
200074



200475



244061



263106

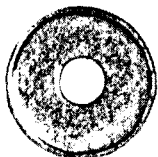
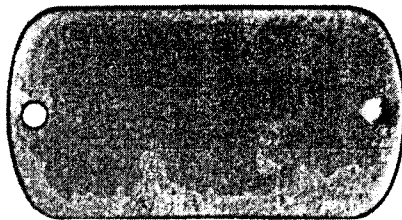


PLATE 12631 - ONE-HALF SIZE

241256



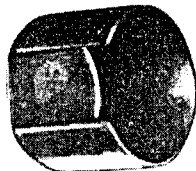
202247



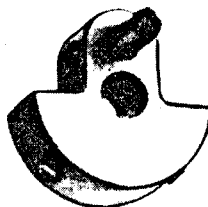
202530



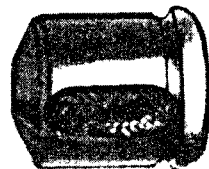
241254



202328



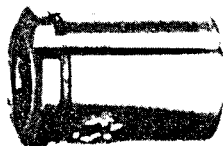
240802



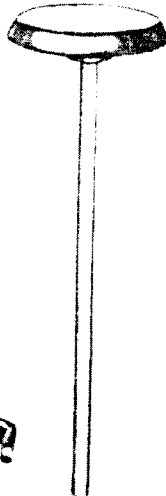
241264



207060



202614



221682



237837





PLATE 12632 - ONE-FOURTH SIZE

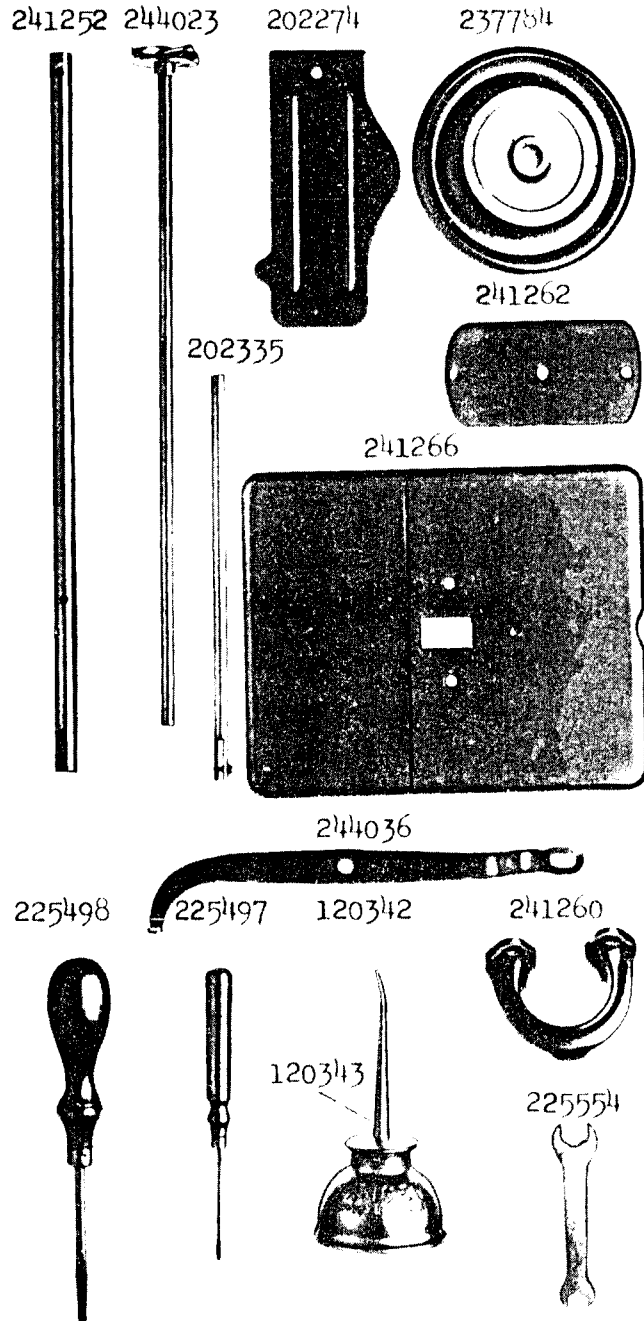
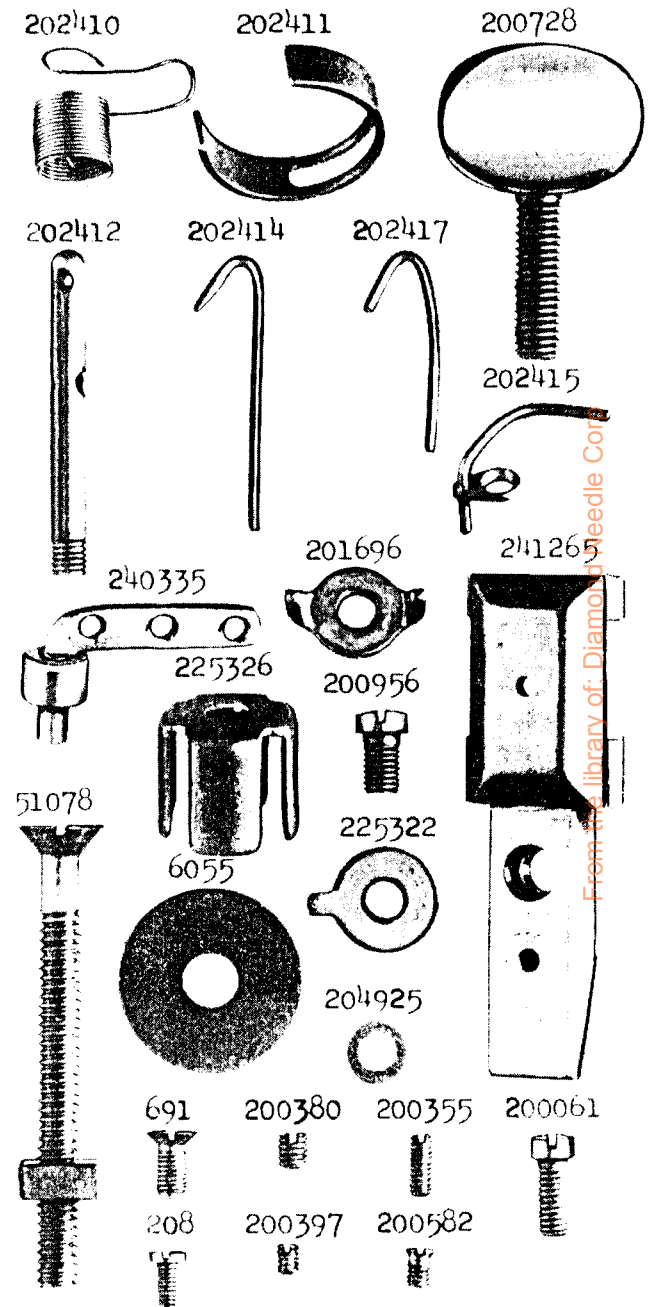


PLATE 12633 - FULL SIZE



From the library of: Diamond Needle Corp.

PLATE 14363—ONE-SIXTH SIZE

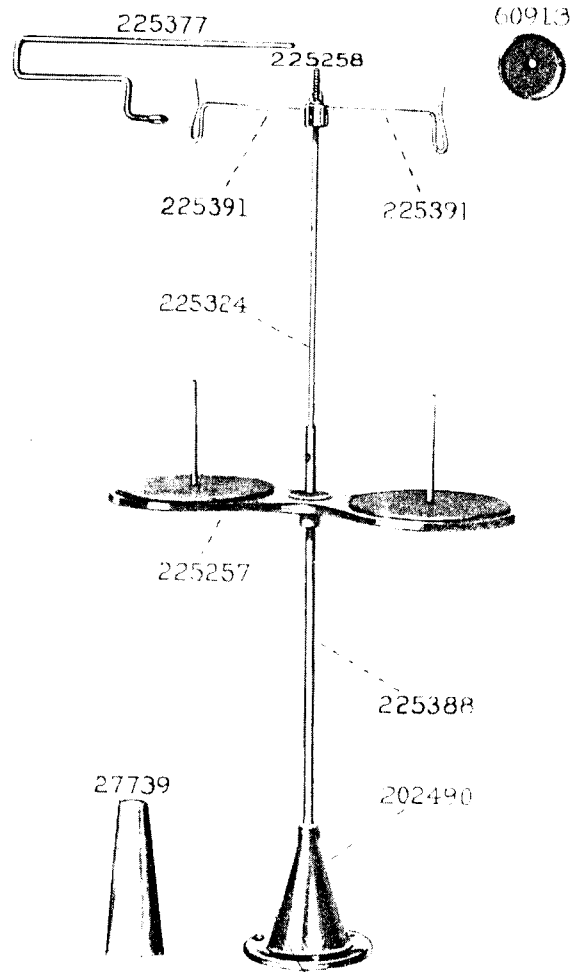


PLATE 15311—ONE-FOURTH SIZE

